

PUSHER VARIABLE FORCE

Springs for POP Displays

When designing a Point-of-Purchase display with a "forward stocking" feature, Evans' **PUSHER** line of variable force springs is the best choice. **PUSHER** springs are both cost and space-efficient.

Their unique design allows for a "range" of applied force. For example, in the full display position, a greater force is required, and as the product supply removed, a lesser force is desirable.



Our standard products and features are listed below and on the reverse side. We can also customize these springs for your exact application. Please contact our Sales Department to discuss your requirements.

1/2" Wide Series

Standard Specifications:

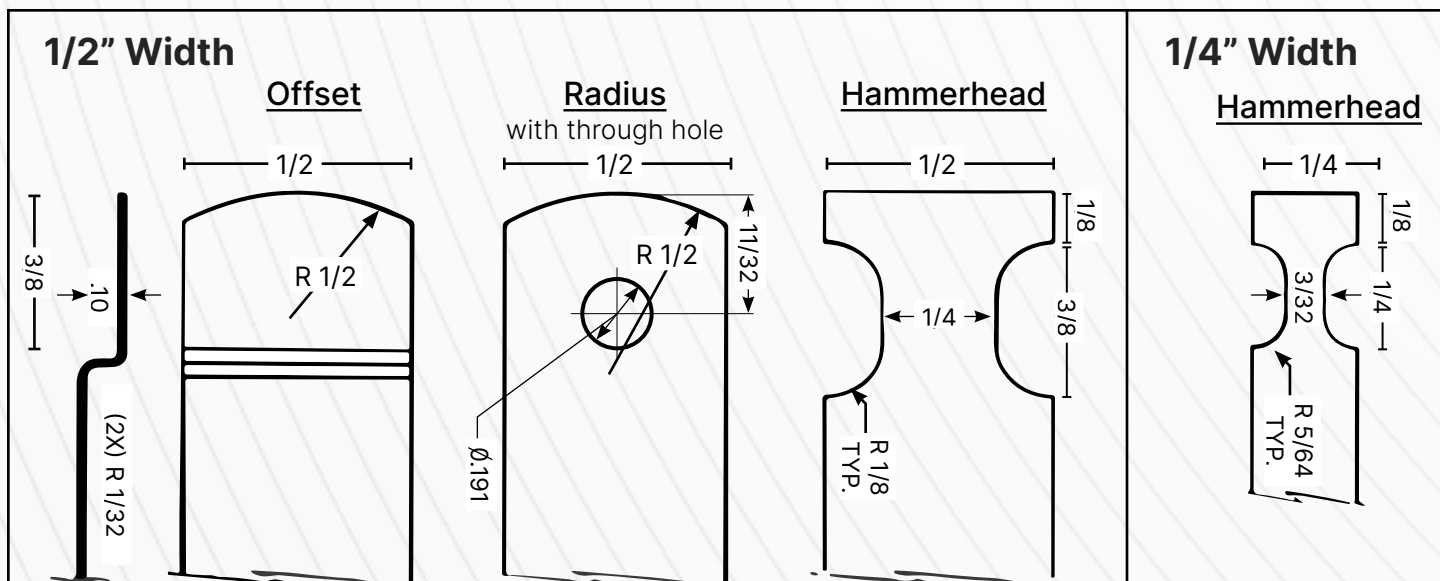
Materials	1/2" wide, Type 301 Stainless Steel
Load Available	3 ounces through 33 ounces
Usable deflection	Up to 15 inches
Outer-end configuration	1/2" radius with .191" dia. through-hole 1/2" hammerhead

1/4" Wide Series

Standard Specifications:

Materials	1/4" wide, Type 301 Stainless Steel
Load Available	1.5 ounces through 13 ounces
Usable deflection	Up to 14 inches
Outer-end configuration	1/4" hammerhead

PUSHER Specifications:



1/4" Wide Pusher Springs

J.E.S. Part Number	Outer Diameter Inches	Retracting Load Range Ounces		Usable Deflection Inches (1.5 turns remaining @ test position)
I	0.6	1.5	2.0	8.0
J	0.6	2.0	3.0	14.0
K	0.6	3.0	5.0	8.0
L	0.6	3.0	6.0	14.0
M	0.7	8.0	10.0	7.0
N	0.8	7.0	13.0	13.0
O	0.4	3.0	4.0	8.0
P	0.4	3.5	4.5	14.0
R	0.4	6.0	8.0	8.0
S	0.5	6.0	9.0	14.0
T	0.6	9.0	12.0	7.0
U	0.7	10.0	13.0	13.0

1/2" Wide Pusher Springs

J.E.S. Part Number	Outer Diameter Inches	Retracting Load Range Ounces Ref.		Usable Deflection Inches (1.5 turns remaining @ test position)
A	1.3	16.0	33.0	15.0
B	1.3	17.0	30.0	10.0
C	1.4	7.0	16.0	15.0
D	1.3	8.0	13.0	10.0
E	1.4	5.0	10.0	15.0
F	1.3	5.0	9.0	10.0
G	1.3	3.0	6.0	15.0
H	1.3	3.0	5.0	10.0

Customized Products

We can customize this product to meet your load, deflection, and attachment requirements, and do it in the most economical way.

Definitions

- Retracting load range - Lower load value when stock tray is near empty, to higher value when stock tray is full.
- Usable deflection - Inches available for stocking product.

Contact John Evans' Sons Today

Our experts offer a depth of expertise to assist you with all parts of the process. We are ready to answer your questions in a timely manner and will help you define what you need. We produce custom springs for all purposes, and we are here to work with you on any of your customization needs. [Contact us today.](#)