

## STOCK CONSTANT FORCE SPRING

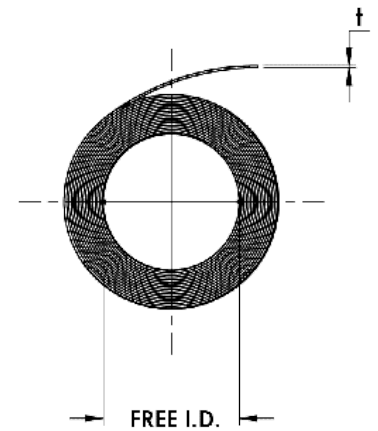
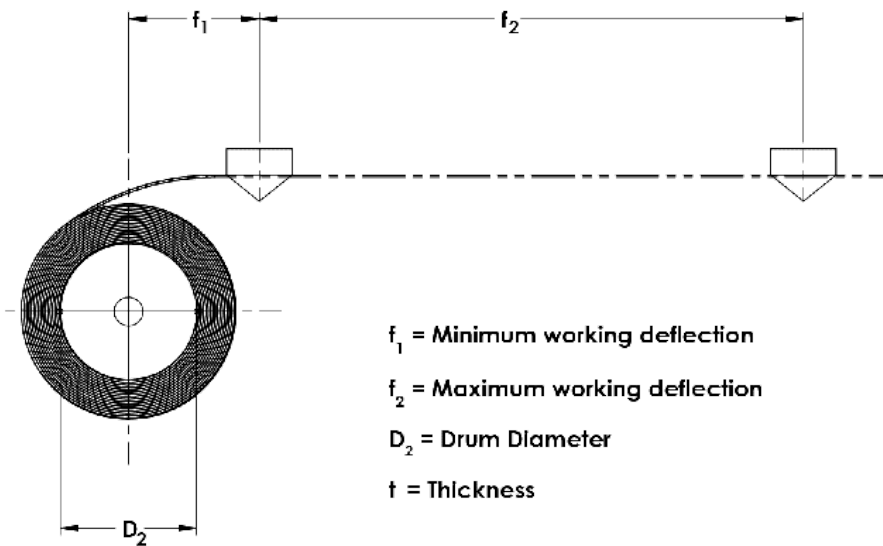
# Selection Chart



Part Number Dimensions shown in inches	Load (lbs.)	Max. Work Deflection	Band Length	Fatigue Life (cycles)	Width	Free I.D.	Thick- ness
<b>A 3X50-SL04D16</b>	0.23	12"	16"	20,000	0.250	0.516	0.004
<b>A 3X50-SK04D15</b>	0.32	12"	15"	13,000	0.250	0.438	0.004
<b>A 3X50-SL05E17</b>	0.36	12"	17"	20,000	0.313	0.656	0.005
<b>A 3X50-SH03C10</b>	0.37	8"	10"	2,500	0.188	0.219	0.003
<b>A 3X50-S K04E15</b>	0.40	12"	15"	13,000	0.313	0.438	0.004
<b>A 3X50-SL05F30</b>	0.43	25"	30"	20,000	0.375	1.000	0.005
<b>A 3X50-SH04C14</b>	0.49	12"	14"	2,500	0.188	0.297	0.004
<b>A 3X50-SK05E16</b>	0.49	12"	16"	13,000	0.313	0.563	0.005
<b>A 3X50-SL06F24</b>	0.52	18"	24"	20,000	0.375	0.781	0.006
<b>A 3X50-SH04D14</b>	0.66	12"	14"	2,500	0.250	0.297	0.004
<b>A 3X50-SL06G24</b>	0.70	18"	24"	20,000	0.500	0.781	0.006
<b>A 3X50-SK06F23</b>	0.71	18"	23"	13,000	0.375	0.672	0.006

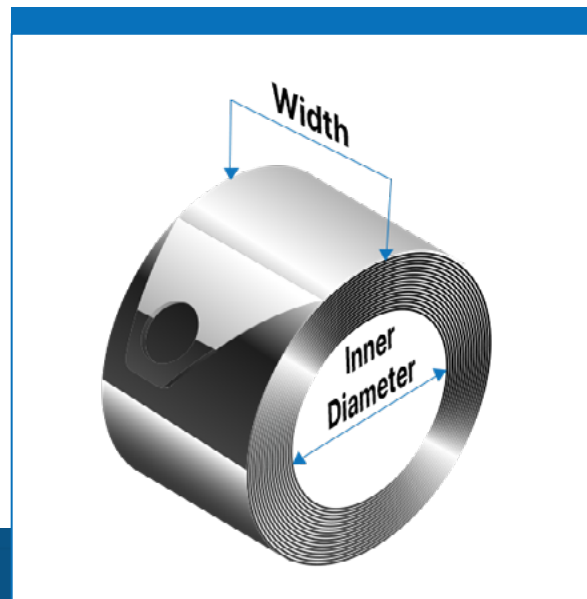
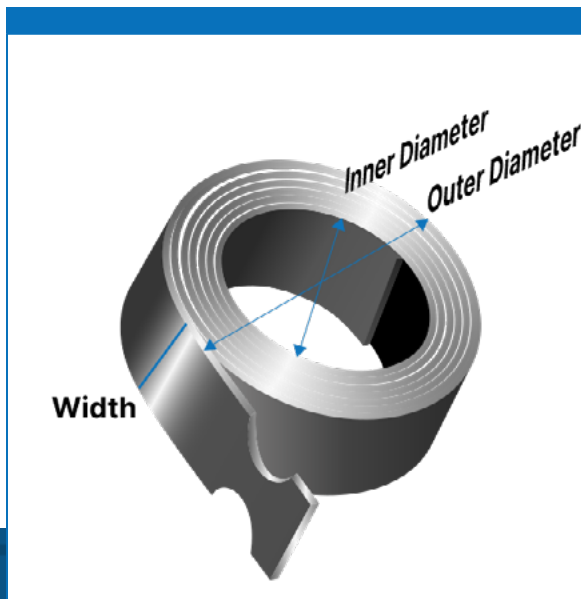
<b>A 3X50-SH04E14</b>	0.83	12"	14"	2,500	0.313	0.297	0.004
<b>A 3X50-SL08G31</b>	0.93	24"	31"	20,000	0.500	1.047	0.008
<b>A 3X50-SK06G23</b>	0.95	18"	23"	13,000	0.500	0.672	0.006
<b>A 3X50-SH05E15</b>	1.03	12"	15"	2,500	0.313	0.359	0.005
<b>A 3X50-SK08G30</b>	1.26	24"	30"	13,000	0.500	0.875	0.008
<b>A 3X50-SL10J33</b>	1.46	24"	33"	20,000	0.625	1.328	0.010
<b>A 3X50-SH06F21</b>	1.48	18"	21"	2,500	0.375	0.438	0.006
<b>A 3X50-SK08J30</b>	1.58	24"	30"	13,000	0.625	0.875	0.008
<b>A 3X50-SH06G21</b>	1.97	18"	21"	2,500	0.500	0.438	0.006
<b>A 3X50-SK10J32</b>	1.98	24"	32"	13,000	0.625	1.109	0.010
<b>A 3X50-SL12K42</b>	2.09	30"	42"	20,000	0.750	1.578	0.012
<b>A 3X50-SK10K32</b>	2.37	24"	32"	13,000	0.750	1.109	0.010
<b>A 3X50-SH08G28</b>	2.63	24"	28"	2,500	0.500	0.578	0.008
<b>A 3X50-SL12P42</b>	2.80	30"	42"	20,000	1.000	1.578	0.012
<b>A 3X50-SK12K40</b>	2.84	30"	40"	13,000	0.750	1.344	0.012
<b>A 3X50-SH08J28</b>	3.29	24"	28"	2,500	0.625	0.578	0.008
<b>A 3X50-SL15P46</b>	3.50	30"	46"	20,000	1.000	1.984	0.015
<b>A 3X50-SK12P40</b>	3.79	30"	40"	13,000	1.000	1.344	0.012
<b>A 3X50-SH10J29</b>	4.12	24"	29"	2,500	0.625	0.734	0.010
<b>A 3X50-SL15R46</b>	4.37	30"	46"	20,000	1.250	1.984	0.015
<b>A 3X50-SK15P42</b>	4.74	30"	42"	13,000	1.000	1.672	0.015
<b>A 3X50-SH10K29</b>	4.95	24"	29"	2,500	0.750	0.734	0.010
<b>A 3X50-SK18P47</b>	5.69	32"	47"	13,000	1.000	2.000	0.018
<b>A 3X50-SL20R54</b>	5.83	36"	54"	20,000	1.250	2.625	0.020
<b>A 3X50-SH12K36</b>	5.94	30"	36"	2,500	0.750	0.875	0.012
<b>A 3X50-SL20S54</b>	6.99	36"	54"	20,000	1.500	2.625	0.020
<b>A 3X50-SH12P36</b>	7.92	30"	36"	2,500	1.000	0.875	0.012
<b>A 3X50-SL25S59</b>	8.74	36"	59"	20,000	1.500	3.297	0.025

<b>A 3X50-SK20S52</b>	9.48	36"	52"	13,000	1.500	2.219	0.020
<b>A 3X50-SH16P38</b>	10.60	30"	38"	2,500	1.000	1.156	0.016
<b>A 3X50-SL25U59</b>	11.70	36"	59"	20,000	2.000	3.297	0.025
<b>A 3X50-SK25S57</b>	11.90	36"	57"	13,000	1.500	2.781	0.020
<b>A 3X50-SL31U69</b>	14.40	42"	69"	20,000	2.000	4.078	0.031
<b>A 3X50-SK25U57</b>	15.80	36"	57"	13,000	2.000	2.781	0.025
<b>A 3X50-SH20R47</b>	16.50	36"	47"	2,500	1.250	1.469	0.020
<b>A 3X50-SK31U68</b>	19.60	42"	68"	13,000	2.000	3.438	0.031
<b>A 3X50-SH20S47</b>	19.80	36"	47"	2,500	1.500	1.469	0.020
<b>A 3X50-SH25S48</b>	24.80	36"	48"	2,500	1.500	1.828	0.025
<b>A 3X50-SH25U48</b>	33.00	36"	48"	2,500	2.000	1.828	0.025
<b>A 3X50-SH31U58</b>	40.90	42"	58"	2,500	2.000	2.266	0.031



**Note:** Material: 301 stainless steel, dimensions shown in inches.

The constant force springs listed below are available in small quantities from our stocking distributor, **Stock Drive Products (SDP)**, or in larger quantities direct from our factory. For engineers and designers involved with prototype development, who may require quick delivery of small quantities, click on part numbers below to be directed to a page within the *Stock Drive Products* website.



## Contact John Evans' Sons Today

Our experts offer a depth of expertise to assist you with all parts of the process. We are ready to answer your questions in a timely manner and will help you define what you need. We produce custom springs for all purposes, and we are here to work with you on any of your customization needs. [Contact us today.](#)